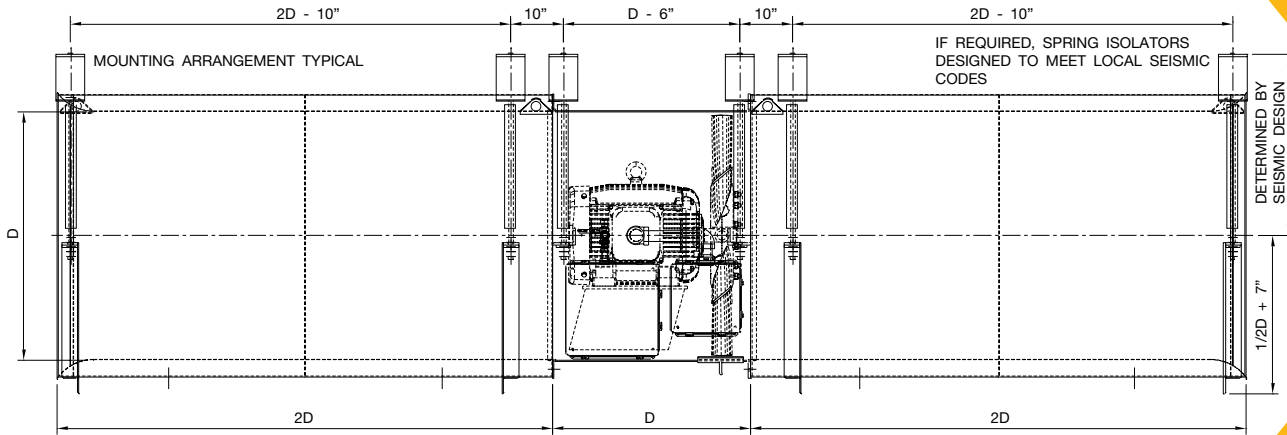


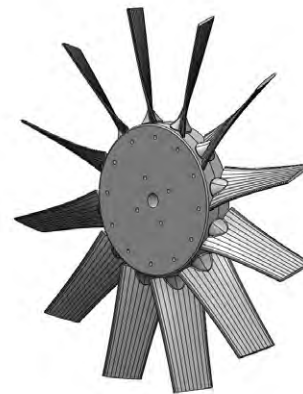
JET FAN TYPICAL DATA



DIMENSIONAL DATA FOR VARIOUS FAN DIAMETERS WITH MAXIMUM THRUST RATING PER FAN DIAMETER

D (in.)	Max Thrust (lbf)	Max RPM (60Hz)	Max Power (Hp)
19-2/3	70	3600	25
22	100	3600	30
25	155	3600	50
28	220	3600	75
31-1/2	284	3600	100
35-1/2	250	1800	60
39-1/2	360	1800	150
44	380	1800	100
49	645	1800	250
55	1015	1800	400
63	770	1200	250

Optional 1D silencers can be provided as well.
For additional special requirements, please contact the factory.



TYPICAL IMPELLER CONSTRUCTION

TYPICAL APPLICATIONS

- > Complete FEA design work performed on all units
- > Full thrust / sound testing
- > Full high temperature testing capabilities up to 750°F for 2 hours with automated burn controls and data collection
- > Built-in compliance with European Standard EN 12101-3



CUSTOM IS OUR STANDARD

202 COMMERCE WAY | PULASKI, TN 38478 | (931) 424-2500

WWW.CLARAGE.COM